

Clamping ring, for elastomer seal - PF100316-T[Similar Image](#)**Technical Data**

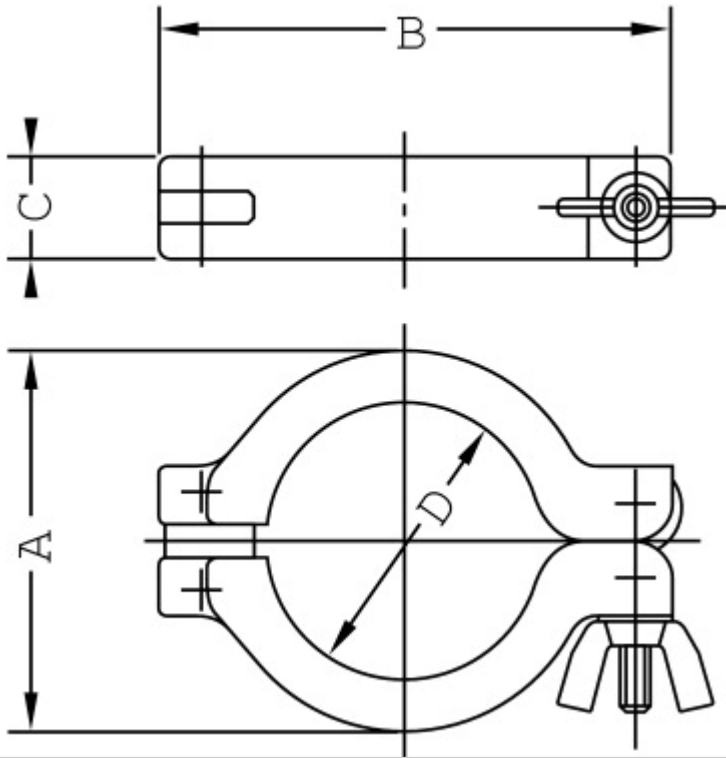
Flange (in)

DN 10-16 ISO-KF

Materials

Aluminium / Steel, Zinc plated

Dimensions



A	43 mm
B	62 mm
C	16 mm
D	22 mm